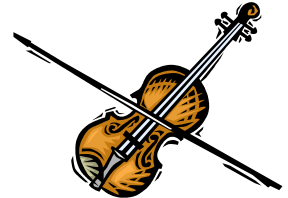


Musical Instruments

1. Trace the letters. Copy the words. Match the words with the musical instruments.

piano	
guitar	
drums	
trumpet	
violin	
flute	

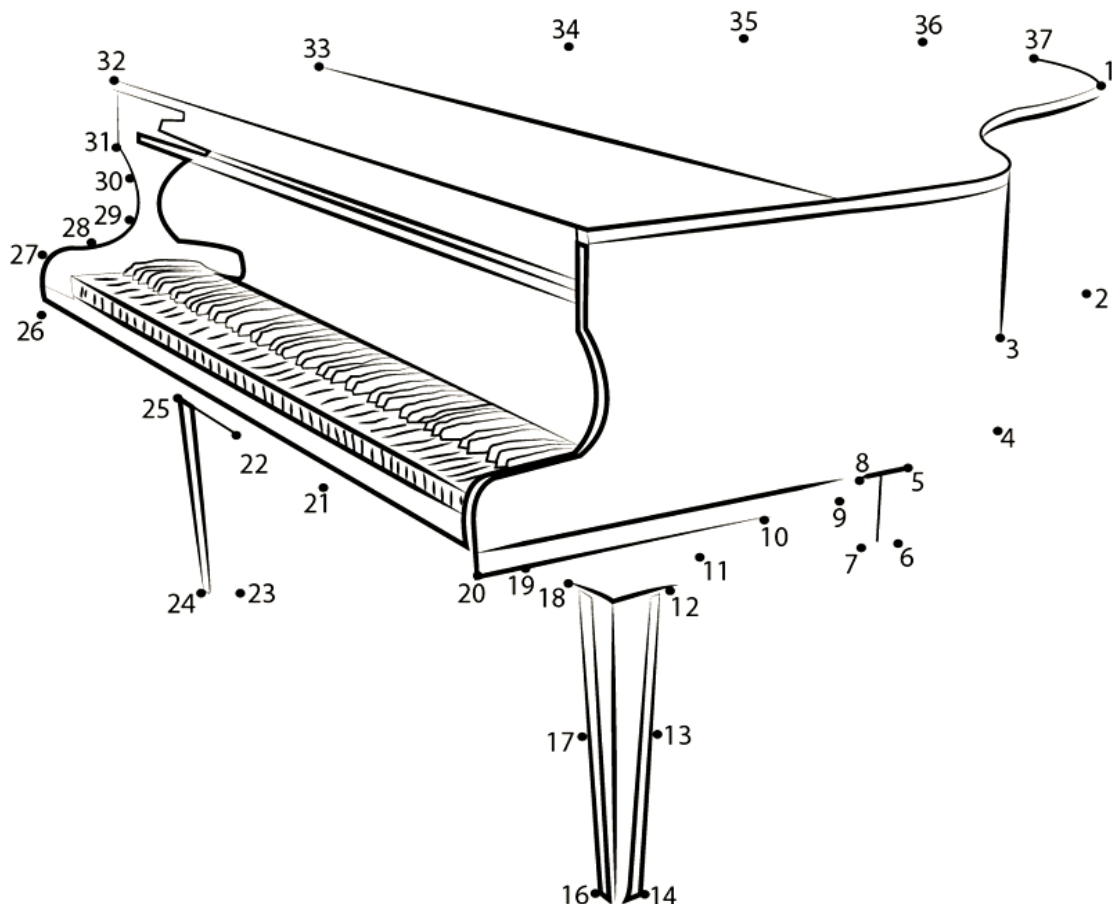


1



Musical Instruments

2. Join the dots and colour the musical instrument.



2

3. What is this? _____

4. Ask your friend, "Can you play a musical instrument?"